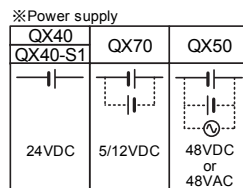
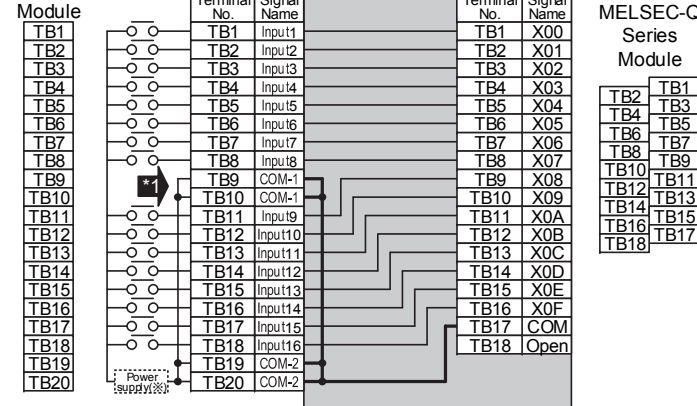


4. Product Specifications

For detail specifications which do not appear in the specification comparison charts contained herein, see the user's manual supplied with the MELSEC-Q Series Module you use. Also, check that the specifications of the connected devices meet the specifications of the MELSEC-Q Series Module.

Conversion Adapter Model	Before replacement Module Model	No. of input points	After replacement MELSEC-Q Series Module Model	No. of modules	Conversion Adapter Weight (g)
ERNT-1Y2Q601611	JAMSC-B2601	16	QX40 QX40-S1 QX70	1	130
	JAMSC-B2611	16	QX50	1	

MEMOCON-SC GL Series (2000 Series I/O)



Precautions for wiring

➔ Because the switch concerned causes the number of points per common to change from 8 (two circuits) to 16 (one circuit), an alteration to the wiring is required if the commons on the existing modules have been used in separation from each other.

< Specification Comparison >

Specifications	Model	MELSEC-Q Series			
	MEMOCON-SC GL Series (2000 Series I/O)	JAMSC-B2601 Positive/Negative shared common type	QX40 Positive common type	QX40-S1 Positive common type	QX70 Positive/Negative shared common type
No. of input points		16 points	16 points	16 points	16 points
Rated input voltage		12/24VDC	24VDC	24VDC	5/12VDC
Rated input current		Approx. 10mA (24V DC) Approx. 5mA (12V DC)	Approx. 4mA	Approx. 6mA	Approx. 3.3mA (12V DC) Approx. 1.2mA (5V DC)
Input impedance		Approx. 2.4kΩ	Approx. 5.6kΩ	Approx. 3.9kΩ	Approx. 3.3kΩ
Inrush current		—	—	—	—
Operating voltage/ current	ON	8V	19V / 3mA	19V / 4mA	3.5V / 1mA
	OFF	4V	11V / 1.7mA	11V / 1.7mA	1V / 0.1mA
Response time	OFF to ON	5ms or less	1/5/10/20/70ms or less	0.1/0.2/0.4/0.6/1ms or less	1/5/10/20/70ms or less
	ON to OFF	5ms or less	1/5/10/20/70ms or less	0.1/0.2/0.4/0.6/1ms or less	1/5/10/20/70ms or less
Isolation method		Photocoupler isolation	Photocoupler isolation	Photocoupler isolation	Photocoupler isolation
Common terminal arrangement		8 points/common	16 points/common	16 points/common	16 points/common
External connections		20-point terminal block	18-point terminal block	18-point terminal block	18-point terminal block

Specifications	Model	MEMOCON-SC GL Series (2000 Series I/O)	MELSEC-Q Series
	JAMSC-B2611 Positive/Negative shared common type	QX50 DC-Positive/Negative shared common type	
No. of input points		16 points	16 points
Rated input voltage		48V DC	48V DC 48V AC
Rated input current		Approx. 9.4mA	Approx. 4mA
Input impedance		Approx. 5kΩ	Approx. 11.2kΩ
Operating voltage/ current	ON	30V	10V / 2.5mA
	OFF	20V	10V / 1.0mA
Response time	OFF to ON	5ms or less	5ms or less 15ms or less
	ON to OFF	5ms or less	20ms or less
Isolation method		Photocoupler isolation	Photocoupler isolation
Common terminal arrangement		8 points/common	16 points/common
External connections		20-point terminal block	18-point terminal block

Make sure the section of the above table meets the specification of the machines and equipment connected to the MELSEC-Q Series Module.

5. Mounting and Installation

5.1 Handling Precautions

- Before attempting to install the Unit or carry out the necessary wiring, make certain that the external power supply, used in the system, is shut off on all three phases. Failure to do so may result in electric shock or damage to the product.
- Do not touch live terminals. There is a danger of electric shock or malfunction.
- Do not modify the Conversion Adapter or take it apart. Doing so will cause failure, malfunction, personal injury, or fire.
- Do not touch the energized part of the Conversion Adaptor directly. Contact will cause malfunction or failure in the system.
- Fasten the Conversion Adapter and the Mounting Bracket securely with retaining screws, and tighten the screws by applying torque within specified limits. Loose screws can lead to the dropping of the Conversion Adapter, or Mounting Bracket, possibly causing breakage thereof. Excessive tightness of the screws can lead to breakage of the screws, Converter Adaptor, Mounting Bracket, or MELSEC-Q Series Module, possibly causing the dropping, shorting, and malfunction thereof.
- Use care to prevent foreign materials including cuttings and wiring debris from entering the Conversion Adapter or the MELSEC-Q Series Module. These will be cause for fire, failure or malfunction.
- Do not drop the Conversion Adapter and Mounting Bracket or do not give a strong impact to it. This will cause damage.

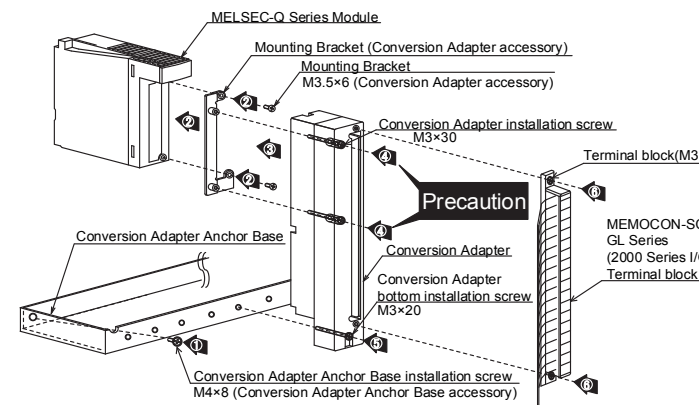
5.2 Use Precautions

Item	Use Precautions
Width dimension of module	<p>Because the module is reduced in width dimension (37.3mm→27.4mm) and thus in area available for wiring, check dimensional data before installing the module.</p>
Depth dimension	<p>The depth dimension required for installation is 132mm. Check the installation condition.</p> <p>*The each depth dimension is measured from the panel surface. MEMOCON-SC GL Series (2000 Series I/O): Base Unit + Input/output Module + Terminal block, MELSEC-Q Series + Renewal Tool: Base Unit + Input/output Module + Conversion Adapter + Terminal block</p>
Interference of the terminal block	<p>When mounting either of the following Conversion Adapter on the right side of the Conversion Adapter leave one slot open between them or use the Q Series Large Type Base Unit (Q□□BL) manufactured by Mitsubishi Electric so that the Conversion Adapter does not interfere with the terminal block of the existing modules.</p> <p>Conversion Adapters : ERNT-1Y2Q500, ERNT-1JQ33S</p>

5.3 Installation Environment

The installation environment is the same as MELSEC-Q Series CPU Module to use. Refer to the user's manual of the MELSEC-Q Series CPU Module to be used.

6. Part Names and Installation Method



6.1 Installation Method

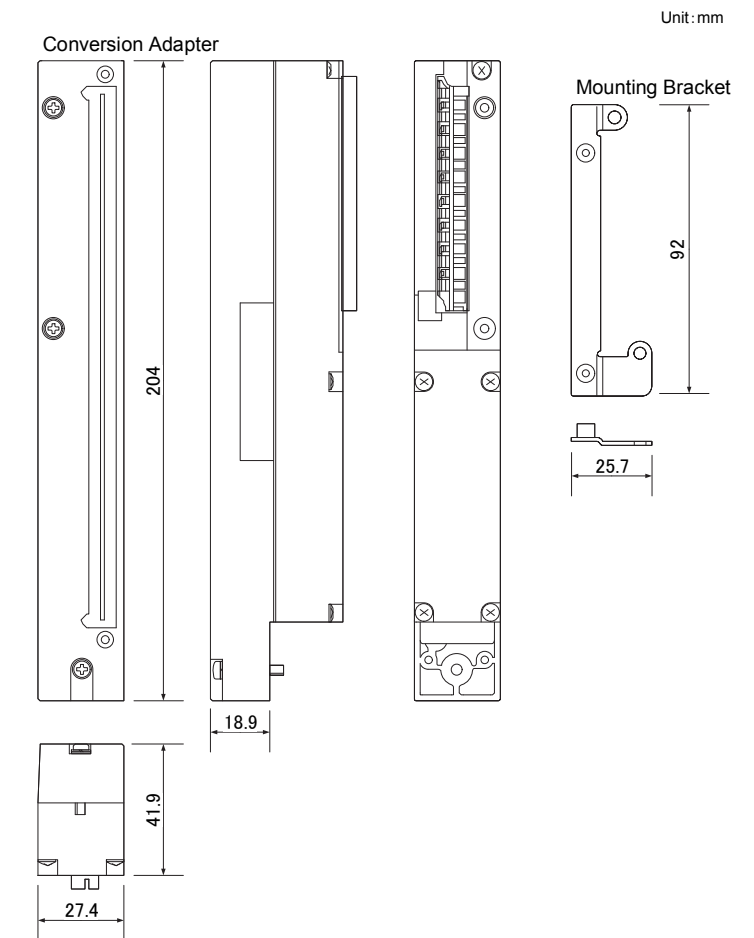
- Secure the Conversion Adapter Anchor Base to the Base Adapter or control panel using the Conversion Adapter Anchor Base installation screws (M4 × 8) provided as an accessory. (Two end locations)
- Remove the terminal block attached with the MELSEC-Q Series Module after loosening the terminal block installation screws (2 places top and bottom).
- Secure the Mounting Bracket to the Q Series Module using the Mounting Bracket fixing screws [M3.5 × 6 (Conversion Adapter accessory); two upper/lower locations].
- Mount the Conversion Adapter onto the Mounting Bracket.
- Secure the Conversion Adapter using the Conversion Adapter installation screws (M3 × 30; 2 locations).
- Secure the Conversion Adapter using the Conversion Adapter bottom installation screw (M3 × 20; 1 location).
- Secure the terminal block of the MEMOCON-SC GL Series (2000 Series I/O) to the Conversion Adapter with the terminal block installation screws (M3; two upper/lower locations).

6.2 Tightening Torque

Tighten the installation screws to the specified torque below. An inappropriate tightening torque could cause the product to fall or result in a short circuit, product failure or malfunction.

Screw Location	Tightening Torque Range
Conversion adapter Anchor Base installation screw (M4×8)	1.39 to 1.89N·m
Mounting Bracket fixing screw (M3.5×6)	0.68 to 0.92N·m
Conversion Adapter installation screw (M3×30)	0.43 to 0.57N·m
Conversion Adapter bottom installation screw (M3×20)	
Terminal block installation screw (M3)	0.5 to 0.6N·m

7. External Dimensions



Duplication Prohibited
This manual may not be reproduced in any form, in part or in whole, without written permission from Mitsubishi Electric Engineering Company Limited.
©2016 MITSUBISHI ELECTRIC ENGINEERING COMPANY LIMITED ALL RIGHTS RESERVED

MELSEC is a registered trademark of Mitsubishi Electric Corporation.
MEMOCON is a registered trademark or a trademark of YASKAWA Electric Corporation.

Product Warranty Details

Please confirm the following product warranty details prior to product use.

Gratis Warranty Terms and Gratis Warranty Range

If any fault or defect (hereinafter referred to as "Failure") attributable to Mitsubishi Electric Engineering Company Limited (hereinafter referred to as "MEE") should occur within the gratis warranty period, MEE shall repair the product free of charge via the distributor from whom you made your purchase.

Gratis Warranty Period

The gratis warranty period of this product shall be one (1) year from the date of purchase or delivery to the designated place.
Note that after manufacture and shipment from MEE, the maximum distribution period shall be six (6) months, and the gratis warranty period after manufacturing shall be limited to eighteen (18) months.
In addition, the gratis warranty period for repaired products shall not exceed the gratis warranty period established prior to repair.

Gratis Warranty Range

The gratis warranty range shall be limited to normal use based on the usage conditions, methods and environment, etc., defined by the terms and precautions, etc., given in the instruction manual, user's manual and caution labels on the product.

Warranty Period after Discontinuation of Production

- MEE shall offer product repair services (fee applied) for seven (7) years after production of the product has been discontinued. Discontinuation of production shall be reported via distributors.
- Product supply (including spare parts) is not possible after production has been discontinued.

Exclusion of Opportunity Loss and Secondary Loss from Warranty Liability

Regardless of the gratis warranty period, MEE shall not be liable for compensation for damages arising from causes not attributable to MEE, opportunity losses or lost profits incurred by the user due to Failures of MEE products, damages or secondary damages arising from special circumstances, whether foreseen or unforeseen by MEE, compensation for accidents, compensation for damages to products other than MEE products, or compensation for other work carried out by the user.

Changes in Product Specifications

The specifications given in the catalogs, manuals and technical documents are subject to change without notice.

This document is a new publication, effective November 2016. Specifications are subject to change without notice.