

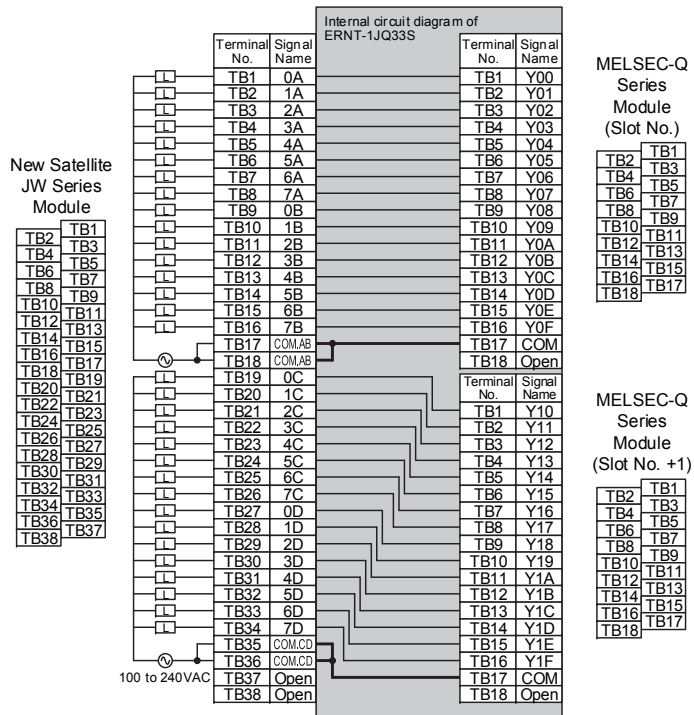


## 4. Product Specifications

For detail specifications which do not appear in the specification comparison charts contained herein, see the user's manual supplied with the MELSEC-Q Series Module you use. Also, check that the specifications of the connected devices meet the specifications of the MELSEC-Q Series Module.

Conversion Adapter Model	Before replacement Module Model	No. of output points	After replacement MELSEC-Q Series Module Model	No. of modules	Conversion Adapter Weight (g)
ERNT-1JQ33S	JW-33S	32	QY22	2	280
	JAMSC-B2504	32	QY22	2	

(1) In the case of JW-33S → QY22

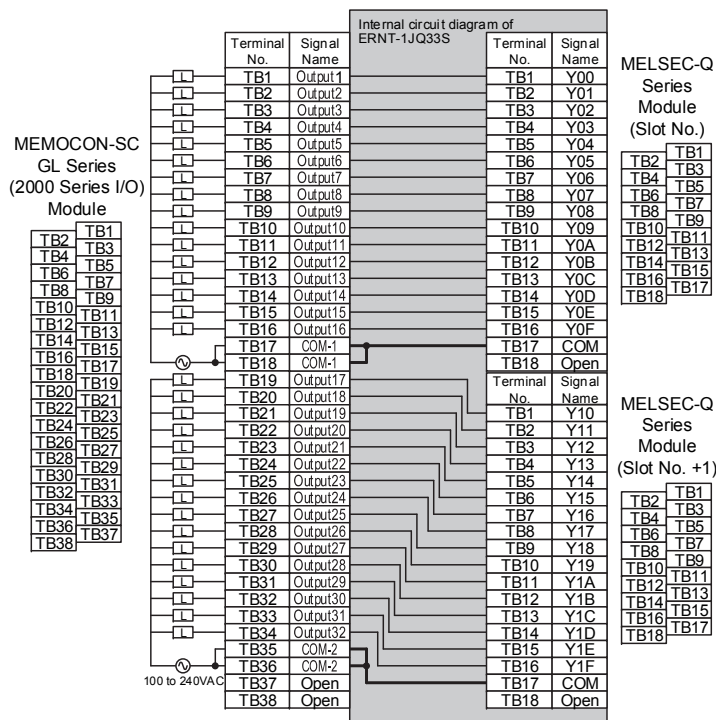


< Specification Comparison >

Model	New Satellite JW Series (TRIAC output)	MELSEC-Q Series (TRIAC output)
Specifications	JW-33S	QY22
No. of output points	32 points	16 points
Rated load voltage	100 to 240VAC 50/60Hz	100 to 240VAC 50/60Hz
Maximum load current	1A/point, 4A/common	0.6A/point, 4.8A/common
Minimum load current	10mA	25mA
Maximum inrush current	6A, 100ms or less	20A/cycle or less
Leaked current at OFF	1.5mA or lower (120VAC) 3mA or lower (240VAC)	1.5mA or lower (120V 60Hz) 3mA or lower (240V 60Hz)
Maximum voltage drop at ON	2V or lower(1A)	1.5V or lower
Response time	OFF to ON: 1ms or less ON to OFF: 1ms + 0.5 cycle s or less	1ms + 0.5 cycles or less
Surge suppressor	CR absorber / Varistor	CR absorber
Fuse	4A (unchangeable)	No
Isolation method	Photocoupler isolation	Photocoupler isolation
Common terminal arrangement	16 points/common	16 points/common
External connection system	38-point terminal block	18-point terminal block

Make sure the section of the above table meets the specification of the machines and equipment connected to the MELSEC-Q Series Module.

(2) In the case of JAMSC-B2504 → QY22



< Specification Comparison >

Model	MEMOCON-SC GL Series (2000 Series I/O) (TRIAC output)	MELSEC-Q Series (TRIAC output)
Specifications	JAMSC-B2504	QY22
No. of output points	32 points	16 points
Rated load voltage	80 to 240VAC 50/60Hz	100 to 240VAC 50/60Hz
Maximum load current	0.3A/point, 1.2A/common	0.6A/point, 4.8A/common
Minimum load current	10mA	25mA
Maximum inrush current	20A, 10ms or less	20A cycle or less
Leaked current at OFF	1.5mA or lower (100VAC) 3mA or lower (240VAC)	1.5mA or lower (120V 60Hz) 3mA or lower (240V 60Hz)
Maximum voltage drop at ON	1.5V or lower(1A)	1.5V or lower
Response time	OFF to ON: 1ms or less ON to OFF: 1ms + 0.5 cycle s or less	1ms + 0.5 cycles or less
Surge suppressor	CR absorber	CR absorber
Fuse	4A (unchangeable)	No
Isolation method	Photocoupler isolation	Photocoupler isolation
Common terminal arrangement	16 points/common	16 points/common
External connection system	38-point terminal block	18-point terminal block

Make sure the section of the above table meets the specification of the machines and equipment connected to the MELSEC-Q Series Module.

## 5. Mounting and Installation

### 5.1 Handling Precautions

- Before attempting to install the Unit or carry out the necessary wiring, make certain that the external power supply, used in the system, is shut off on all three phases. Failure to do so may result in electric shock or damage to the product.
- Do not touch live terminals. There is a danger of electric shock or malfunction.
- Do not modify the Conversion Adapter or take it apart. Doing so will cause failure, malfunction, personal injury, or fire.
- Do not touch the energized part of the Conversion Adaptor directly. Contact will cause malfunction or failure in the system.
- Fasten the Conversion Adapter and the Mounting Bracket securely with retaining screws, and tighten the screws by applying torque within specified limits. Loose screws can lead to the dropping of the Conversion Adapter, or Mounting Bracket, possibly causing breakage thereof. Excessive tightness of the screws can lead to breakage of the screws, Converter Adaptor, Mounting Bracket, or MELSEC-Q Series Module, possibly causing the dropping, shorting, and malfunction thereof.
- Use care to prevent foreign materials including cuttings and wiring debris from entering the Conversion Adapter or the MELSEC-Q Series Module. These will be cause for fire, failure or malfunction.
- Do not drop the Conversion Adapter and Mounting Bracket or do not give a strong impact to it. This will cause damage.

### 5.2 Use Precautions

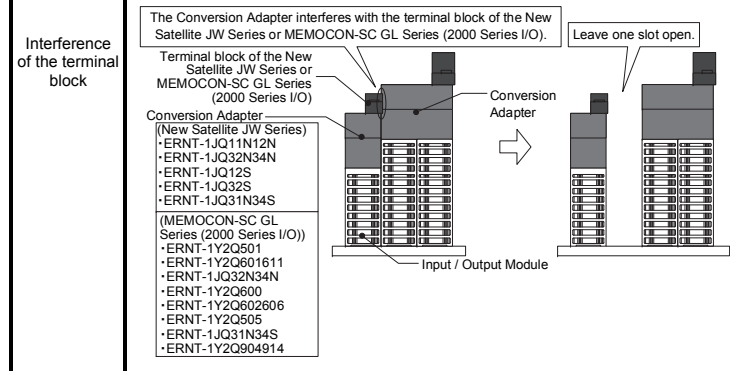
Item	Use Precautions	
	New Satellite JW Series	MEMOCON-SC GL Series (2000 Series I/O)
Depth dimension		

\*The each depth dimension is measured from the panel surface.  
New Satellite JW Series and MEMOCON-SC GL Series (2000 Series I/O): Base Unit + Input/output Module + Terminal block, MELSEC-Q Series + Renewal Tool: Base Unit + Input/output Module + Conversion Adapter + Terminal block

When mounting one of the following Conversion Adapters on the left side of the Conversion Adapter, leave one slot open between them so that the Conversion Adapter does not interfere with the terminal block of the existing module.

Conversion Adapters:  
New Satellite JW Series  
ERNT-1JQ11N12N, ERNT-1JQ32N34N, ERNT-1JQ12S,  
ERNT-1JQ32S, ERNT-1JQ31N34S

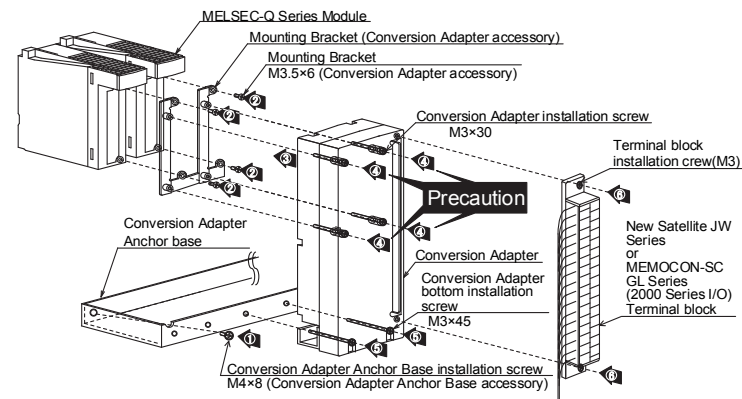
MEMOCON-SC GL Series (2000 Series I/O)  
ERNT-1Y2Q501, ERNT-1Y2Q601611, ERNT-1JQ32N34N,  
ERNT-1Y2Q600, ERNT-1Y2Q602606, ERNT-1Y2Q505,  
ERNT-1JQ31N34S, ERNT-1Y2Q904914



### 5.3 Installation Environment

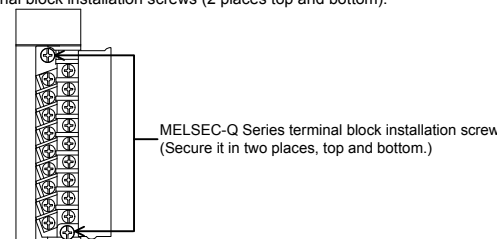
The installation environment is the same as MELSEC-Q Series CPU Module to use. Refer to the user's manual of the MELSEC-Q Series CPU Module to be used.

## 6. Part Names and Installation Method



### 6.1 Installation Method

- Secure the Conversion Adapter Anchor Base to the Base Adapter or control panel using the Conversion Adapter Anchor Base installation screws (M4 × 8) provided as an accessory. (Two end locations)
- Remove the terminal block attached with the MELSEC-Q Series Module after loosening the terminal block installation screws (2 places top and bottom).



- Secure the Mounting Bracket to the Q Series Module using the Mounting Bracket fixing screws (M3.5 × 6 (Conversion Adapter accessory); four upper/lower locations).
- Mount the Conversion Adapter onto the Mounting Bracket.

- Secure the Conversion Adapter using the Conversion Adapter installation screws (M3 × 30; 4 locations).

**Precaution**  
Before tightening the installation screws, check that the Conversion Adapter has been securely installed on the MELSEC-Q Series Module. Tightening the screws in floating-off state or tilting state will damage the Conversion Adapter installation screws and the Mounting Bracket.

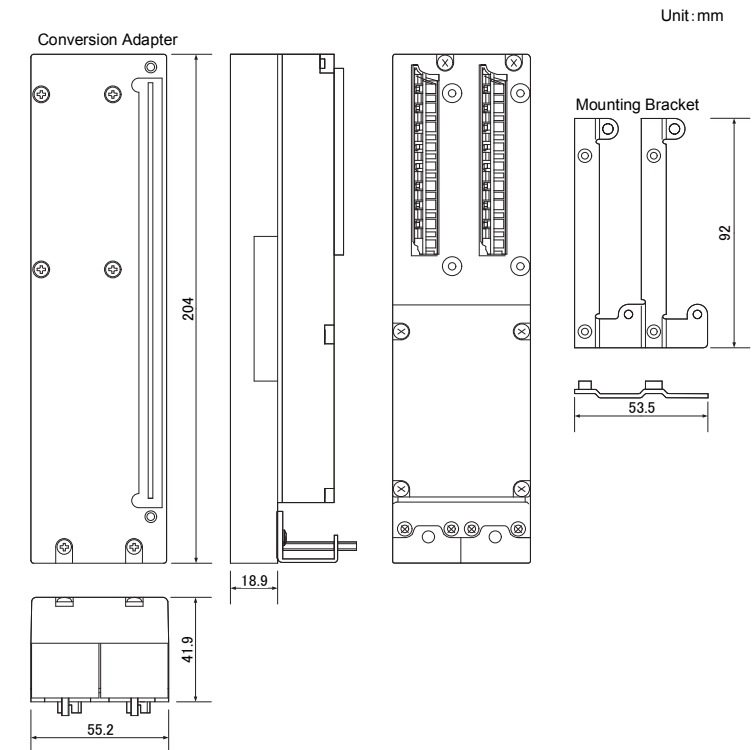
- Secure the Conversion Adapter using the Conversion Adapter bottom installation screw (M3 × 45; 2 location).
- Secure the terminal block of the New Satellite JW Series or MEMOCON-SC GL Series (2000 Series I/O) to the Conversion Adapter with the terminal block installation screws (M3; two upper/lower locations).

### 6.2 Tightening Torque

Tighten the installation screws to the specified torque below. An inappropriate tightening torque could cause the product to fall or result in a short circuit, product failure or malfunction.

Screw Location	Tightening Torque Range
Conversion Adapter Anchor Base installation screw (M4×8)	1.39 to 1.89N·m
Mounting Bracket fixing screw (M3.5×6)	0.68 to 0.92N·m
Conversion Adapter installation screw (M3×30)	0.43 to 0.57N·m
Conversion Adapter bottom installation screw (M3×45)	
Terminal block installation screw (M3)	0.5 to 0.6N·m

## 7. External Dimensions



**Duplication Prohibited**  
This manual may not be reproduced in any form, in part or in whole, without written permission from Mitsubishi Electric Engineering Company Limited.  
©2016 MITSUBISHI ELECTRIC ENGINEERING COMPANY LIMITED ALL RIGHTS RESERVED

MELSEC is a registered trademark of Mitsubishi Electric Corporation.  
MEMOCON is a registered trademark or a trademark of YASKAWA Electric Corporation.

### Product Warranty Details

Please confirm the following product warranty details prior to product use.

#### Gratis Warranty Terms and Gratis Warranty Range

If any fault or defect (hereinafter referred to as "Failure") attributable to Mitsubishi Electric Engineering Company Limited (hereinafter referred to as "MEE") should occur within the gratis warranty period, MEE shall repair the product free of charge via the distributor from whom you made your purchase.

#### Gratis Warranty Period

The gratis warranty period of this product shall be one (1) year from the date of purchase or delivery to the designated place. Note that after manufacture and shipment from MEE, the maximum distribution period shall be six (6) months, and the gratis warranty period after manufacturing shall be limited to eighteen (18) months. In addition, the gratis warranty period for repaired products shall not exceed the gratis warranty period established prior to repair.

#### Gratis Warranty Range

The gratis warranty range shall be limited to normal use based on the usage conditions, methods and environment, etc., defined by the terms and precautions, etc., given in the instruction manual, user's manual and caution labels on the product.

#### Warranty Period after Discontinuation of Production

- MEE shall offer product repair services (fee applied) for seven (7) years after production of the product has been discontinued. Discontinuation of production shall be reported via distributors.
- Product supply (including spare parts) is not possible after production has been discontinued.

#### Exclusion of Opportunity Loss and Secondary Loss from Warranty Liability

Regardless of the gratis warranty period, MEE shall not be liable for compensation for damages arising from causes not attributable to MEE, opportunity losses or lost profits incurred by the user due to Failures of MEE products, damages or secondary damages arising from special circumstances, whether foreseen or unforeseen by MEE, compensation for accidents, compensation for damages to products other than MEE products, or compensation for other work carried out by the user.

#### Changes in Product Specifications

The specifications given in the catalogs, manuals and technical documents are subject to change without notice.

This document is a new publication, effective November 2016. Specifications are subject to change without notice.

Developed November 2016  
50CM-D180243-B